

# Pillowcases of Love

A great serger project!

Fun projects for those you love from Kari Me Away  
Fits a standard size pillow (finished size 31 x 21").

Visit us at: [www.KariMeAway.com](http://www.KariMeAway.com)

## Yardage

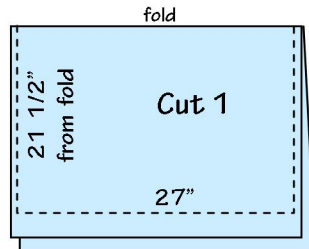
	45" w or w/o nap & 60" w/ nap	60" w/o nap
Body of Pillowcase	3/4 yd (makes 1 case)	1 1/4 yds (makes 2 cases + 1 accent strip)
Band of Pillowcase	1/3 yd (makes 1 case)	1 1/4 yds (makes 5 bands)
Accent Strip (optional) or	1/8 yd (makes 1 strip)	1/8 yd (makes 1 strip)
Ribbon or Rickrack Trims	1 1/4 yds for any additional trim applied flat	

## Cutting

Body of Pillowcase: Cut 1 block—27 x 43"  
Band of Pillowcase: Cut 1 block—11 x 43"  
Accent Strip (optional): Cut 1 block—3 x 43"

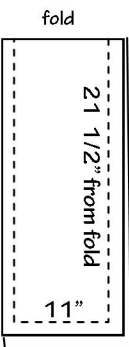
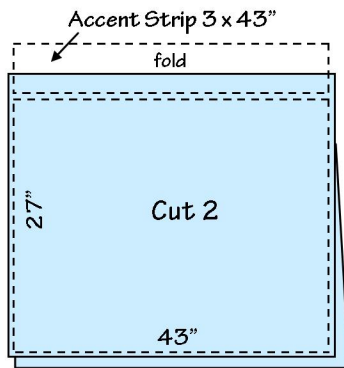
### Body of Pillowcase

45" w or w/o nap  
& 60" w/ nap



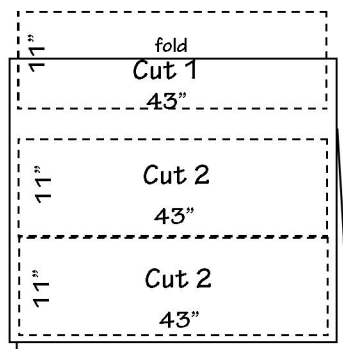
### Body of Pillowcase

60" w/o nap



### Band of Pillowcase

45" w or w/o nap & 60" w/ nap



### Band of Pillowcase

60" w/o nap

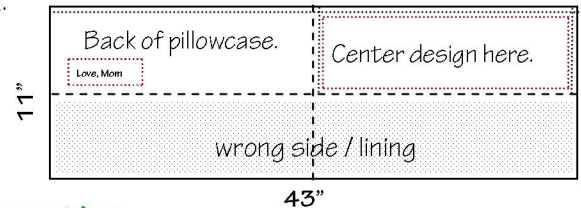
## Accent Strip

All fabric widths.



## Pillowcase Band Embroidery

Center and sew any machine embroidery designs you desire. I suggest signing or dating the back as shown in small box.

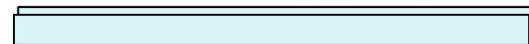


## Construction

With wrong sides together, fold band fabric in half lengthwise and press.



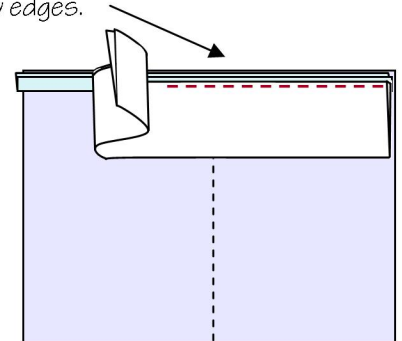
Do the same for the accent strip (optional).



With right sides together, lay accent trim band and band fabric on body aligning raw edges.

Sew or serge in place using a 1/2" seam allowance. If needed, trim and zigzag seams to finish.

Open seam and decide which way you would like the accent strip to lay (it does make a difference, try both ways). Press flat.



Copyright 2006 Kari Mecca, Kari Me Away

All rights reserved. No part of this material may be reproduced for commercial production. For personal use only.

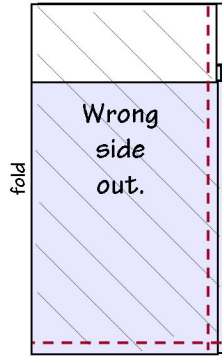
## Construction Cont.

Fold in half with **right sides together**. Carefully matching ends of band, pin.

Sew or serge sides using a 1/2" seam allowance. If needed, trim and zigzag seams to finish.

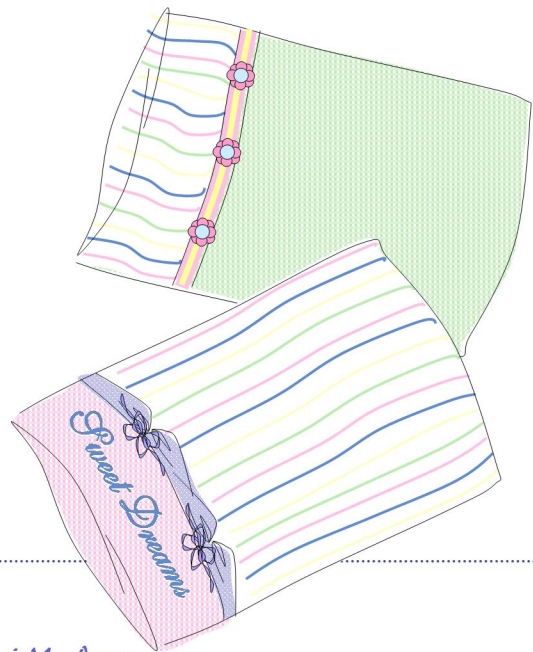
Turn right side out and press.

The finished pillowcase measures 31 x 21".



## Additional Trims

Add buttons or bows along edge of band and accent strip. Also try adding rickracks and ribbon trims.



Copyright 2006 Kari Mecca, Kari Me Away

All rights reserved.

No part of this material may be reproduced for commercial production. For personal use only.

*Pattern compliments of Kari Mecca, Kari Me Away  
Bringing you unique designs & supplies  
to nurture and inspire your creativity.*

*Kari Me Away*

[www.KariMeAway.com](http://www.KariMeAway.com)

Anaheim Hills, CA  
phone (714) 921-9184